

# Lighting Switch

## Data sheet



- wireless control of ZigBee-compatible ballasts and illuminants - even without a gateway
- ZigBee Light Link certified
- battery operation with a running time of approx. 2 years
- LED status indicators
- various operating concepts
  - dimming two groups of luminaires
  - dimming a lighting group with scenario storage
  - dimming of a lighting group and cold white / warm white control

### Technical Data



#### Electrical specifications

Frequency range	2.4 GHz
Radio standard	IEEE 802.15.4
Standby energy consumption	< 1 $\mu$ A with 3 V
Battery	Lithium CR 2450N



#### Environmental information

Humidity	5 % - 85 %, non condensing
Storage temperature	-5 °C - 55 °C
Operating temperature	-5 °C - 55 °C



#### Compatibility

Protocol	ZigBee
Profile	ZigBee Light Link, ZigBee Home Automation

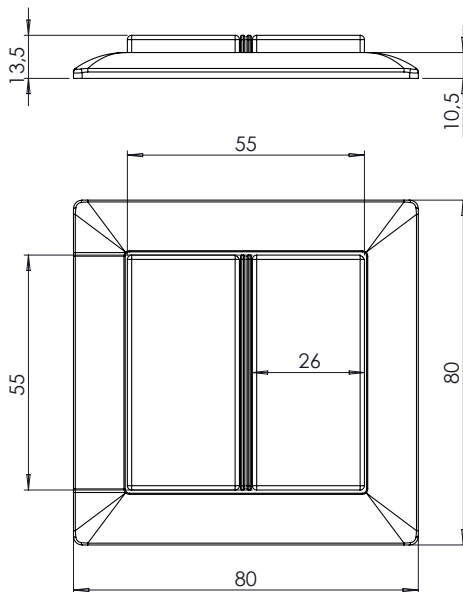
### Particular markers



## Further information

Hereby, dresden elektronik ingenieurtechnik gmbh declares that the radio equipment type Lighting Switch is in compliance with directive 2014/53/EU. The full text of the EU declaration of conformity is available at the following internet address: [www.dresden-elektronik.de](http://www.dresden-elektronik.de)

## Dimensions in mm



## Warranty

This product is quality-tested and provided with the statutory warranty period of 24 months from the date of purchase. Please keep the invoice as proof of purchase.

## Scope of delivery

Lighting Switch incl. battery, supplies for wall mounting and operating instructions

BN-600087

## Contact

dresden elektronik ingenieurtechnik gmbh  
Enno-Heidebroek-Str. 12  
01237 Dresden | Germany

Tel: +49 351 31850-0 Fax: -10  
[wireless@dresden-elektronik.de](mailto:wireless@dresden-elektronik.de)  
[www.dresden-elektronik.de](http://www.dresden-elektronik.de)