

FLS-AE Ip

Data sheet

- wireless control unit for dimmable luminaires with 1 ... 10V input or PWM control on up to 4 separate or parallel channels
- 20 mA control per channel (at least 10 devices per channel with 2 mA / device)
- integrated relay to switch off all power supplies completely
- operating mode can be configured between 1-10 V bus and PWM signal via switch
- switch between parallel and single channel operation possible [by dip switch]



Technical Data



Electrical specifications

Input	85-265 V AC 50 / 60 Hz
Switching output	Relay max. 8 A / 85 - 265 VAC Switch output not secured
Control output	Four separate outputs [1 - 10 V Bus (20 mA / channel) or Open Drain PWM (max. 27 V, 20 mA / channel)]
Frequency range	2.4 GHz
Radio standard	IEEE 802.15.4
Standby energy consumption	< 0.5 W (0.25 W typ.)
Protection	Electronic protection
Protection category	II
Antenna connection	SMA-female
Permissible antenna type	Stub antenna
Antenna gain	≤ 5 dBi



Environmental information

Humidity	5 % - 85 % r.H. not condensing
Storage temperature	-20 °C - 55 °C
Operating temperature	-20 °C -55 °C



Compatibility

Protocol	ZigBee
Profile	ZigBee Home Automation
Controlling	Exclusively with gateways from dresden elektronik

Particular markers

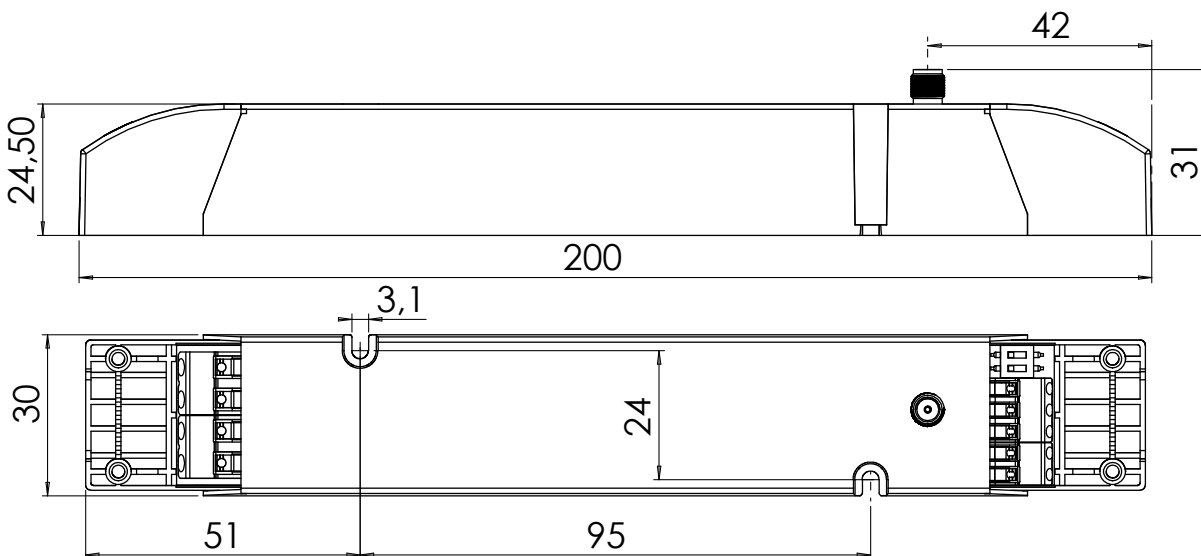


Further information

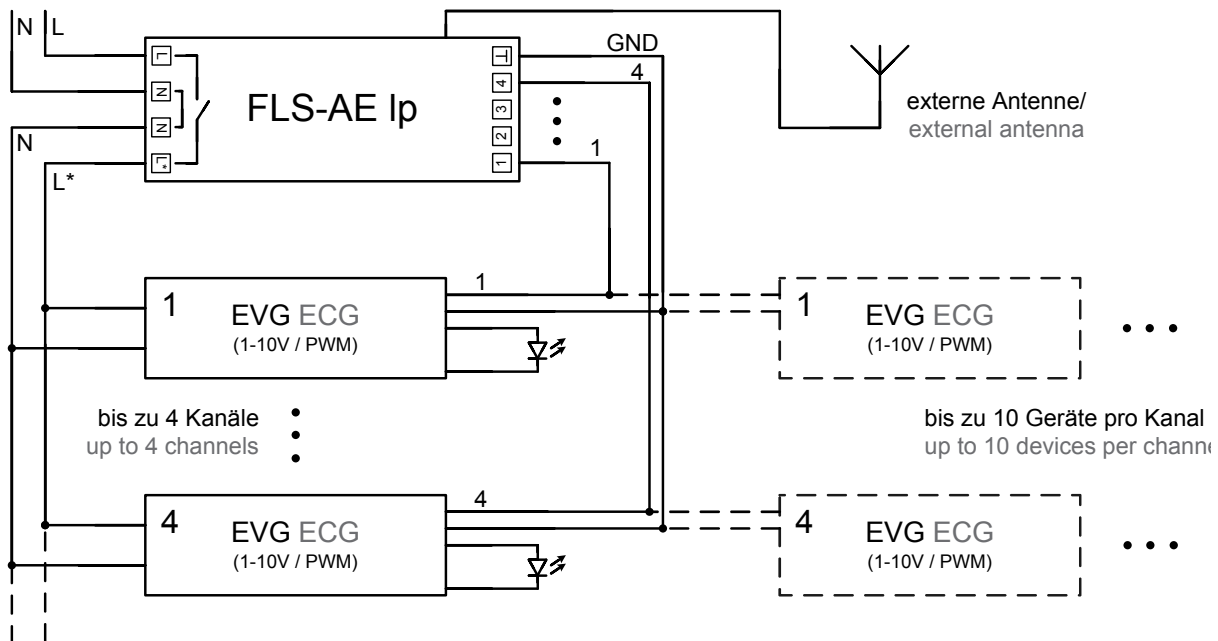
Hereby, dresden elektronik ingenieurtechnik gmbh declares that the radio equipment type FLS-AE Ip is in compliance with directive 2014/53/EU. The full text of the EU declaration of conformity is available at the following internet address: www.dresden-elektronik.de

Attention: Installation only by qualified electricians!

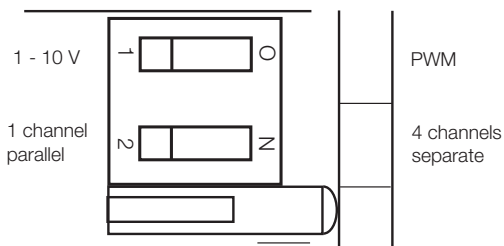
Dimensions in mm



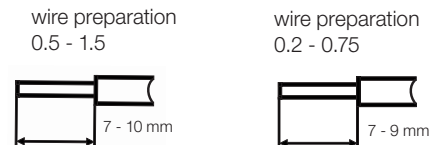
Connection diagram



Switch mode



Wire cross-section



Warranty

This product is quality-tested and provided with the statutory warranty period of 24 months from the date of purchase. Please keep the invoice as proof of purchase.

Scope of delivery

FLS-AE Ip

BN-600091

Contact

dresden elektronik ingenieurtechnik gmbh
Enno-Heidebroek-Str. 12
01237 Dresden | Germany

Tel: +49 351 31850-0 Fax: -10
wireless@dresden-elektronik.de
www.dresden-elektronik.de